

ASFA

W2

Band & Housing: Stainless Steel X8Cr 17 (DIN 1.4016) (AISI-430)

Screw: Zinc plated

W4

Band & Housing: Stainless Steel

X5CrNi 1810 (DIN 1.4301) (AISI-304)

Screw: St/St AISI 302 Cu.



(*) We recommend to use only 75% of the maximum value

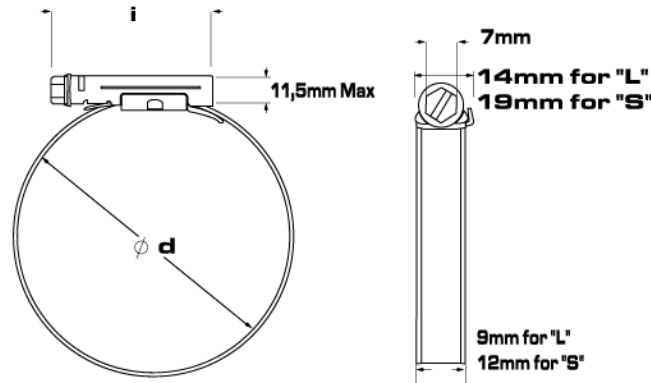
| Cross Ref. | Application (mm) | Application (inches) | Mikalor Reference | | | | i | | Maximum Value (*) | | | |
|--------------------------|------------------|----------------------|-------------------|-----------|-----------|-----------|------|-----|-------------------|--------------|----------|-----|
| | | | ASFA-L W2 | ASFA-S W2 | ASFA-L W4 | ASFA-S W4 | "L" | "S" | inch/pds "L" | inch/pds "S" | Pres PSI | |
| 3 | 8-12 | 0.31-0.47 | 301650-8 | N/A | N/A | N/A | 23.1 | 31 | 26.55 | 44.25 | N/A | N/A |
| 4-6 | 8-16 | 0.31-0.63 | 301651-6 | N/A | 301401-9 | N/A | | | | | 652 | N/A |
| 8 | 12-22 | 0.47-0.88 | 301652-4 | N/A | 301402-7 | N/A | | | | | 652 | N/A |
| 10 | 16-27 | 0.63-1.06 | 301653-2 | N/A | 301403-5 | N/A | 24.6 | 31 | 30.97 | 44.25 | 609 | N/A |
| 12 | 20-32 | 0.78-1.25 | 301654-0 | 301702-5 | 301404-3 | 301451-0 | | | | | 522 | 652 |
| 16 | 25-40 | 0.78-1.38 | 301655-9 | 301703-3 | 301405-1 | 301452-9 | 27.5 | 31 | 30.97 | 44.25 | 464 | 580 |
| 20 | 30-45 | 1.19-1.78 | 301656-7 | N/A | 301406-0 | N/A | | | | | 406 | N/A |
| 24-28 | 32-50 | 1.25-1.97 | 301657-5 | 301704-1 | 301407-8 | 301453-7 | | | | | 348 | 507 |
| 32 | 40-60 | 1.56-2.34 | 301658-3 | 301705-0 | 301408-6 | 301454-5 | 29 | 36 | 35.40 | 48.67 | 275 | 435 |
| 36 | 50-70 | 1.97-2.75 | 301659-1 | 301706-8 | 301409-4 | 301455-3 | | | | | 246 | 362 |
| 40-44 | 60-80 | 2.34-3.16 | 301660-4 | 301707-6 | 301410-7 | 301456-1 | | | | | 217 | 290 |
| 48 | 70-90 | 2.75-3.53 | 301661-2 | 301708-4 | 301411-5 | 301457-0 | | | | | 188 | 246 |
| 52 | 80-100 | 3.16-3.94 | 301662-0 | 301709-2 | 301412-3 | 301458-8 | | | | | 159 | 203 |
| 56 | 90-110 | 3.54-4.33 | 301663-9 | 301710-5 | 301414-0 | 301459-6 | | | | | 145 | 174 |
| 60 | 100-120 | 3.94-4.72 | 301664-7 | 301711-3 | 301415-8 | 301460-9 | | | | | 130 | 145 |
| 64 | 110-130 | 4.33-5.12 | 301665-5 | 301712-0 | 301416-6 | 301461-7 | | | | | 116 | 116 |
| 72 | 120-140 | 4.72-5.51 | 301666-3 | 301713-0 | 301417-4 | 301462-5 | | | | | 101 | 101 |
| 84 | 130-150 | 5.12-5.91 | 301667-1 | 301714-8 | 301418-2 | 301463-3 | | | | | 87 | 87 |
| 88 | 140-160 | 5.51-6.30 | 301668-0 | 301715-6 | 301419-0 | 301464-1 | 72 | 72 | | | | |
| 96 | 150-170 | 5.91-6.69 | N/A | 301716-4 | N/A | 301465-0 | N/A | 58 | | | | |
| 104 | 160-180 | 6.30-7.09 | N/A | 301717-2 | N/A | 301466-8 | N/A | 43 | | | | |
| 116 | 170-190 | 6.69-7.48 | N/A | 301718-0 | N/A | 301467-6 | N/A | 29 | | | | |
| 116 | 180-200 | 7.09-7.87 | N/A | 301719-9 | N/A | 301468-4 | N/A | 29 | | | | |
| 128 | 190-210 | 7.48-8.27 | N/A | 301720-1 | N/A | 301469-2 | N/A | 26 | | | | |
| 128 | 200-220 | 7.87-8.66 | N/A | 301721-0 | N/A | 301470-5 | N/A | 26 | | | | |
| 152 | 210-230 | 8.27-9.06 | N/A | 301722-8 | N/A | 301471-3 | N/A | 23 | | | | |
| 164 | 220-240 | 8.66-9.45 | N/A | 301723-6 | N/A | 301472-1 | N/A | 23 | | | | |
| ASFA-L W2 ASSORTMENT BOX | | | 350302-8 | | | | | | | | | |

ASFA-L W2 & W4

Band 3/8" wide

ASFA-2 W2 & W4

Band 1/2" wide



Ref. Mikalor 301703-3